

Setting Up

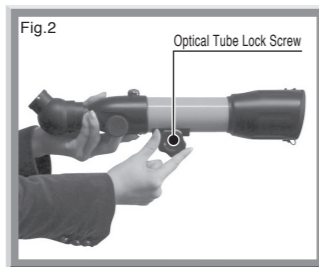
Setting Up the Tripod / Mount

1. Stand the tripod upright and pull the tripod legs apart until the support arms for the accessory tray have been fully extended.

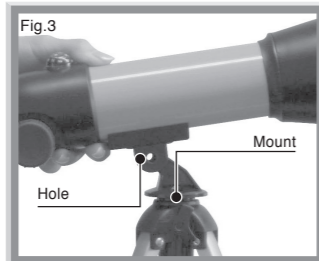


Attaching the Optical Tube

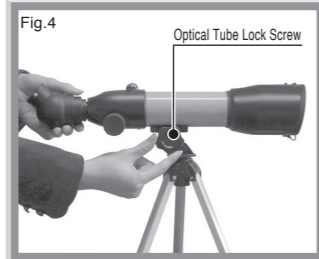
1. Remove the optical tube lock screw as shown in the diagram. Note: the nut on the opposite side will fall off when the screw is removed. Be careful not to lose this piece.



2. Attach the optical tube as shown in Fig. 3. Match the holes on the optical tube and the mount. Insert the optical tube lock screw.

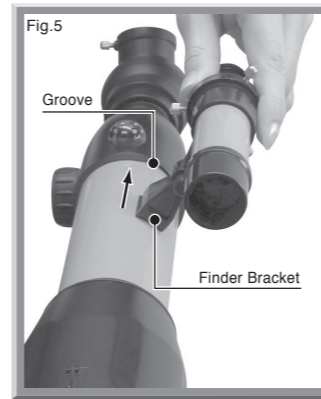


3. Tighten the optical tube lock screw.



Attaching the Finder Scope

Attach the finder scope as shown in Fig. 5. Put the finder bracket in the groove on the optical tube. To adjust the finder scope, refer to the section "Adjusting the Finder Scope" in this manual.



Using the telescope

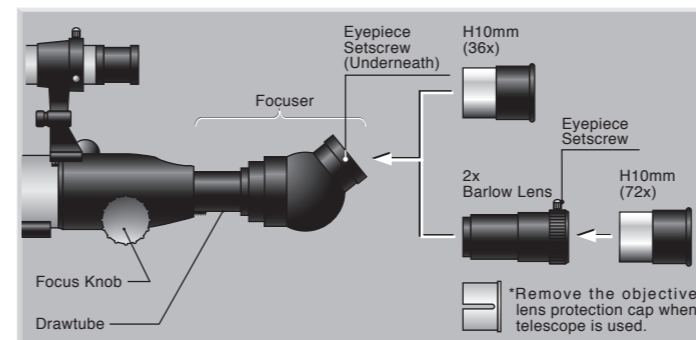
Eyeiece

An eyepiece is required in order to view through the Nature Eye. The H10mm eyepiece is included with your Nature Eye Telescope. The diagram below shows the focal length of the eyepiece. Magnification (power) is determined by dividing the focal length of the telescope by the focal length of the eyepiece.

2x Barlow lens

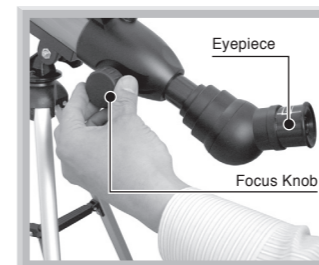
You will double the magnification when using the 2x Barlow Lens with the eyepiece.

Eyeiece	Focal Length Telescope	÷	Focal Length Eyeiece	=	Power
H 10mm	14"(360mm)	÷	10mm	=	36x
H 10mm + 2x Barlow Lens	360x2=28"(720mm)	÷	10mm	=	72x



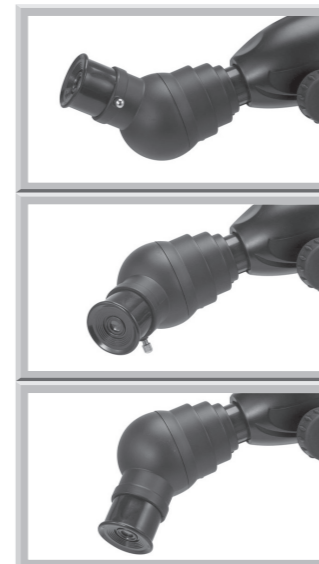
Focusing

To focus the optical tube, rotate the Focus Knob, as shown in the diagram. Begin with the H10mm eyepiece. As magnification increases, the point of focus is shorter, making it more difficult to attain correct focus. Astronomical and Land observation are influenced by climate, wind, and lights. Observing while indoors may cause you to see double or dim images. Nature Eye is best used in the outdoors.



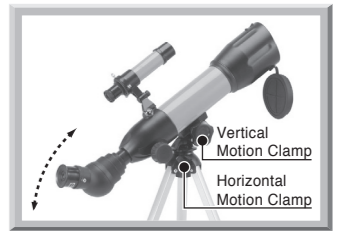
Revolving Eyepiece Focuser

Rotate the revolving eyepiece focuser for more comfortable observation.



Vertical and Horizontal Motion Clamps

Keep your target object in view by tracking. Loosen the vertical and horizontal clamps to move the telescope. Once your object is in view, tighten the clamps.

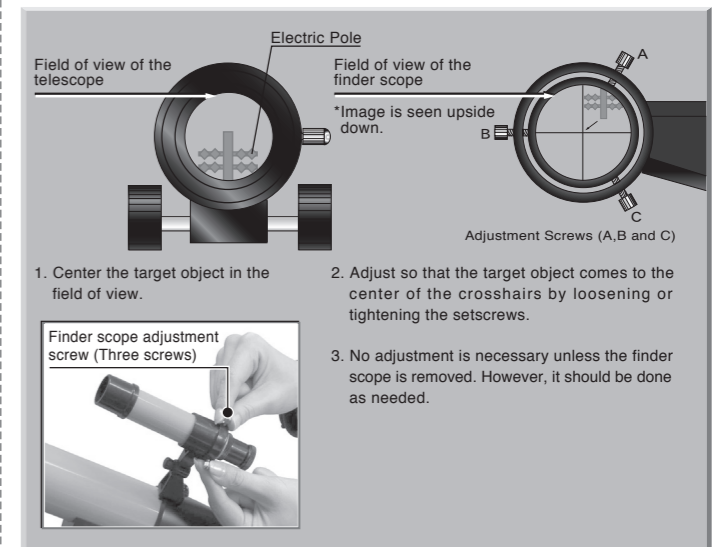


Finder Scope

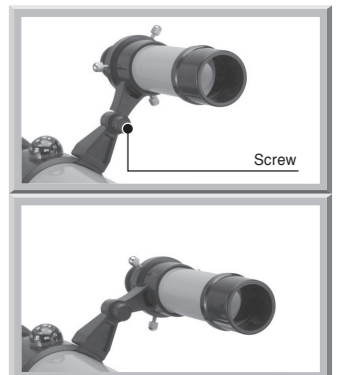
The Finder Scope aids in aligning the telescope on the target object.

Finder Adjustment

1. Attach the eyepiece to the telescope's drawtube and point the telescope at a target object (ex. A chimney, an antenna or an electric pole at least 219 yds (200m) away) in the distance. Center the target object in the field of view of the eyepiece and focus it by turning the focus knob slowly.
2. Look through the finder scope and center the same target object on the crosshairs in the finder's field of view with the three adjustment screws.



* The angle of the Finder Scope can be adjusted.



Compass

Use the compass to determine the direction of your target object.

