

NE620T front/side view

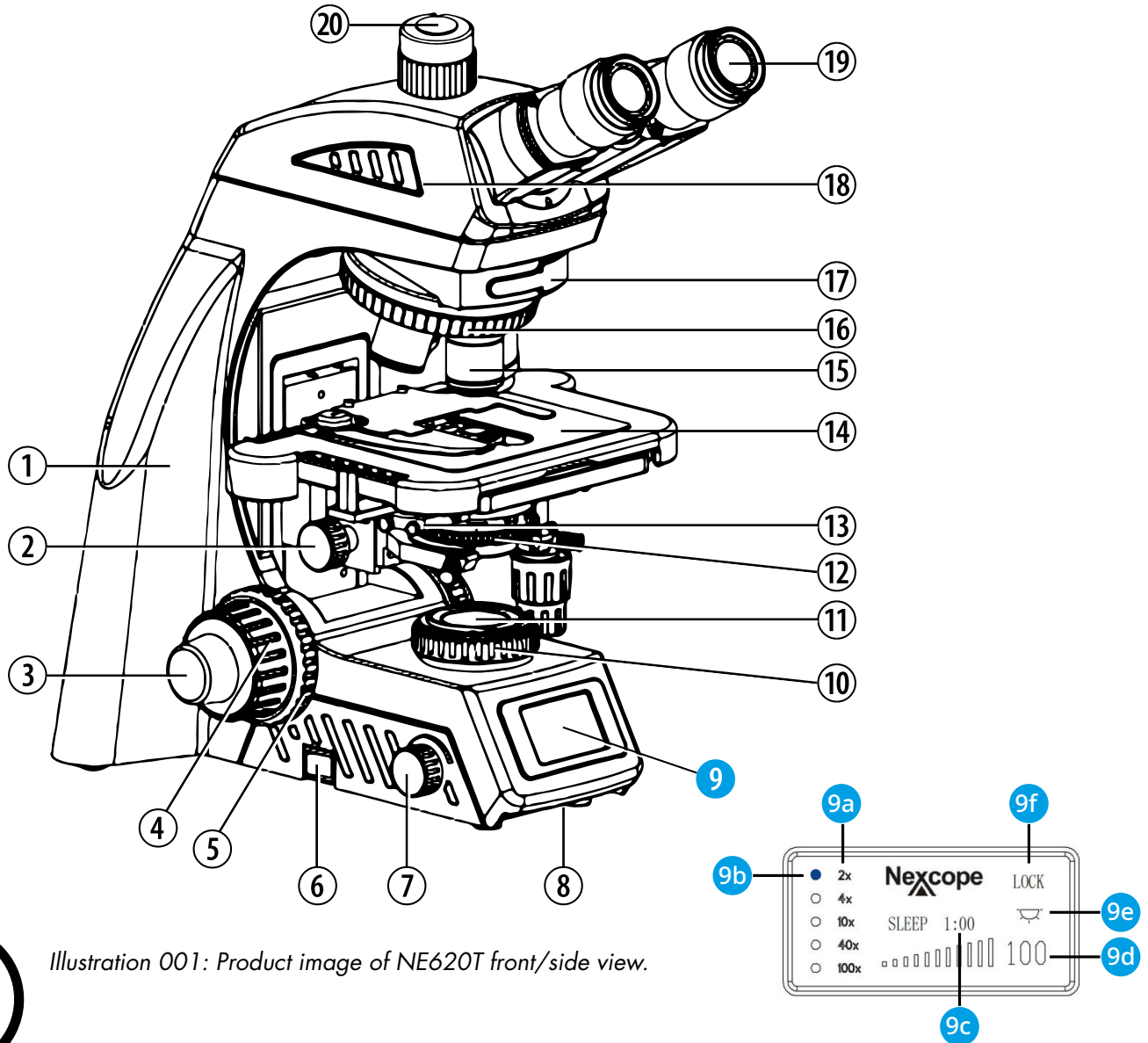
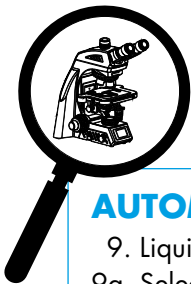


Illustration 001: Product image of NE620T front/side view.



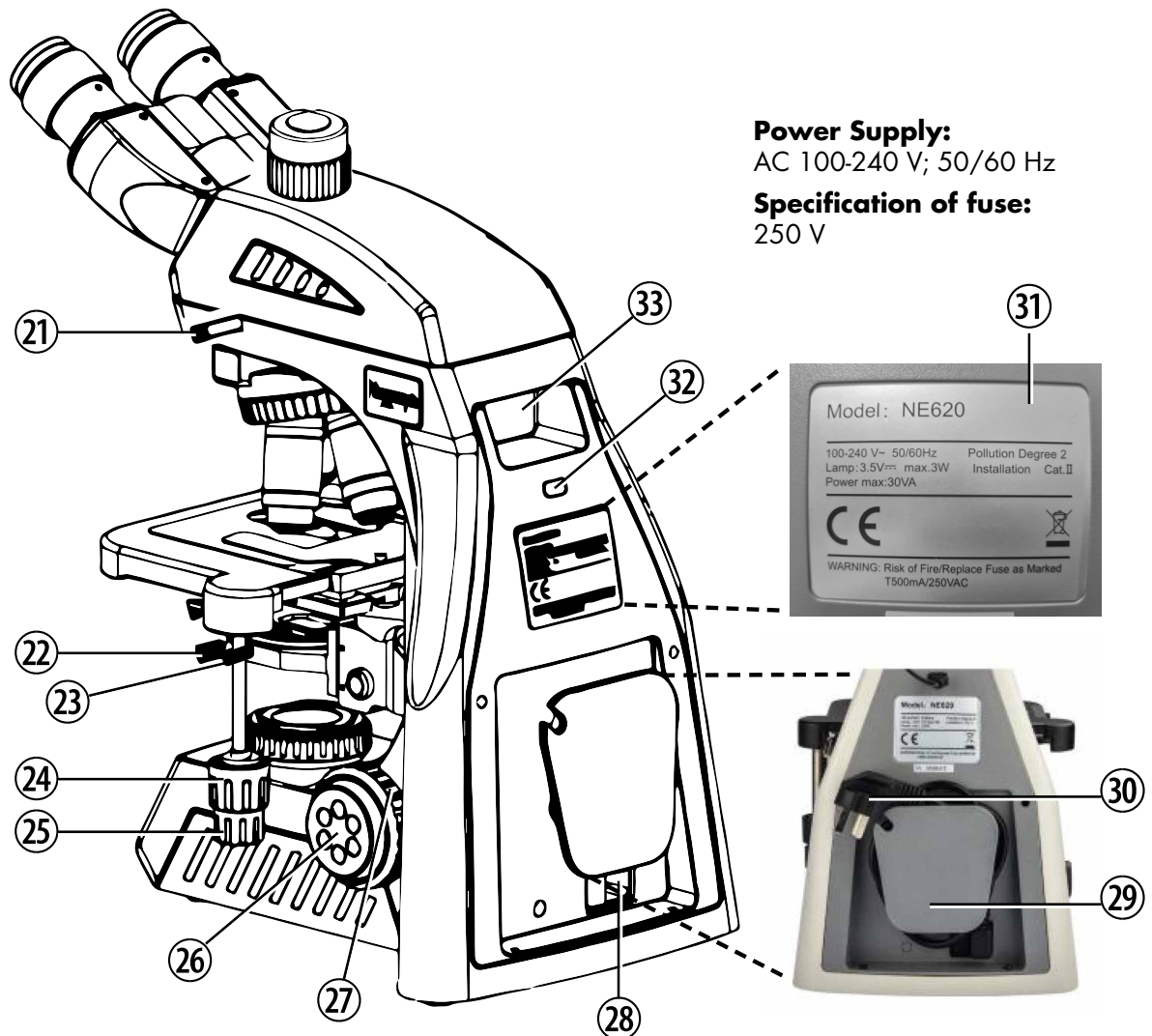
AUTOMATIC DESIGN

- 9. Liquid Crystal Display (LCD)
- 9a. Selected objective
- 9b. Blue dot
- 9c. Adjustable time for SLEEP mode
- 9d. Light intensity (%)
- 9e. Transmitted light ON/OFF
- 9f. Light blocking or unblocking

BASIC DESIGN

- 1. Main body
- 2. Condenser up-down knob
- 3. Left fine focusing knob
- 4. Coarse focusing knob
- 5. Tension adjustment ring
- 6. On/Off switch
- 7. Brightness control knob
- 8. Carrying handle 1
- 10. Field diaphragm ring
- 11. Field diaphragm
- 12. Condenser with aperture diaphragm
- 13. Slider for different observation methods/placeholder
- 14. Cross stage with specimen clamp
- 15. Objective
- 16. Encoded quintuple nosepiece
- 17. External filter slider/placeholder
- 18. Trinocular viewing head
- 19. Eyepiece
- 20. Photo adapter

NE620T back/side view



Power Supply:
AC 100-240 V; 50/60 Hz

Specification of fuse:
250 V



Illustration 002: Product image of NE620T back/side view.

BASIC DESIGN

- | | |
|---|---|
| 21. Viewing head holding screw | 31. Type plate with important information |
| 22. Condenser centering screw (on both sides) | 32. USB interface |
| 23. Condenser holding screw | 33. Carrying handle 2 |
| 24. Y-axis knob | |
| 25. X-axis knob | |
| 26. Right fine focusing knob | |
| 27. Limit knob (up-stop) | |
| 28. Mains in | |
| 29. Holding device for power cord | |
| 30. Power cord | |

Exclusive distribution for
Germany and BeNeLux:



BRESSER GmbH
Nexcope Service
Gutenbergstr. 2
DE-46414 Rhede
Germany

www.bresser.de
service.nexcope@bresser.de