

## GENERAL WARNINGS

### ⚠ DANGER OF BODILY INJURY!

Do not use in the presence of children or animals. Store out of reach of children and animals.

### ⚠ RISK OF MATERIAL DAMAGE!

Make sure that no one can trip over connection cables of the device. The device could be knocked over.

When inserting the smartphone into the holder, ensure that the smartphone is fixed securely in order to prevent it from falling down and causing damage!

The manufacturer accepts no liability for damage to property caused by improper or insufficiently safe installation!

Only use the recommended power supply\* for the power adapter!

The manufacturer accepts no liability for voltage damage caused by the use of an unsuitable power adapter!

### ⚠ DANGER OF AN ELECTRIC SHOCK!

This device contains electronic parts that are powered by a power source (power adapter). Only use the device as described in the manual. Otherwise, you run the DANGER of an ELECTRIC SHOCK.

Never bend, squeeze or pull power cables, connecting cables, extensions or connectors. Protect cables from sharp edges and heat. Check this device, cables and connections for damage before use. Never attempt to operate a damaged device, or a device with damaged electrical parts! Damaged parts must be replaced immediately by an authorized service agent.

Operate the device only in a completely dry environment and do not touch the device with wet or damp body parts.

### ⚠ RISK OF GLARE!

Make sure that people and animals do not look into the light. The high luminosity can cause glare to the eyes and afterimages. This impairment of vision can lead to accidents.

### ⚠ FIRE/EXPLOSION HAZARD!

Always place the device in such a way that it cannot tip over and ensure that it is stored in a reasonably safe place.

- Keep children and animals away from the device! They could knock the device over.
- Make sure that no one can trip over connection cables. The device could be knocked over.
- Do not expose the device to high temperatures. Do not short-circuit the device or dispose of in fire! Excessive heat and improper handling can cause short circuits, fires and even explosions!
- Only use the recommended power supply\*!

### ! IMPORTANT NOTE!

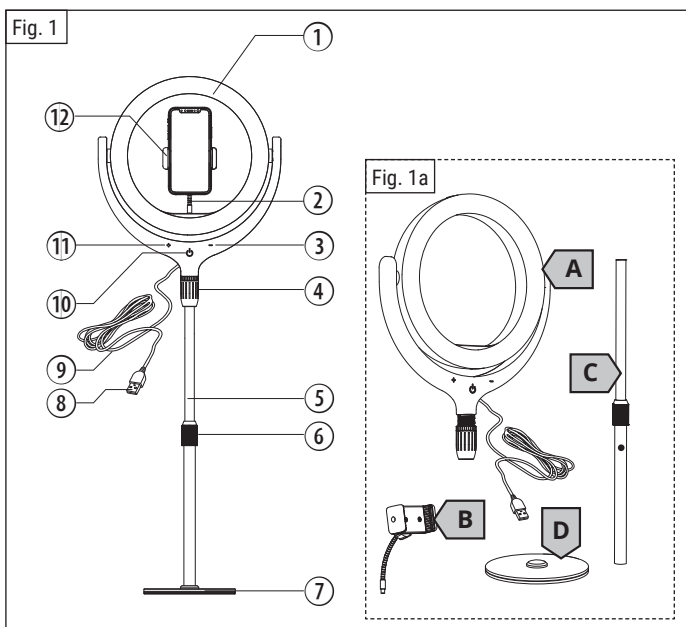
Do not disassemble the device! In the event of a defect, please contact your dealer. They will contact the Service Center and can arrange the return of this device for repair if necessary.

Disconnect the power supply by pulling the mains plug when the appliance is not in use, in case of a longer interruption of operation and before any maintenance and cleaning work.

Place your device so that it can be disconnected from the power supply at any time. The power outlet should always be near your appliance and should be easily accessible, as the plug of the power cord serves as a disconnect device from the mains supply.

To disconnect the unit from the mains, always pull the mains plug and never pull the cable!

Do not subject the device to excessive vibrations.



## PARTS OVERVIEW (Fig. 1)

- ① Ring light w. fork arm
- ② Flexible arm
- ③ -Button
- ④ Upper fixing ring
- ⑤ Stand
- ⑥ Lower fixing ring
- ⑦ Base plate
- ⑧ Power cord
- ⑨ USB-A plug
- ⑩ On/Off/Colour set button
- ⑪ +Button
- ⑫ Smartphone\* holder

## SCOPE OF DELIVERY (Fig. 1a)

Ring light w. fork arm (1x)(A), flexible arm w. smartphone holder (1x) (B), stand (1x)(C), base plate (1x)(D), instruction manual

### ADDITIONALLY REQUIRED

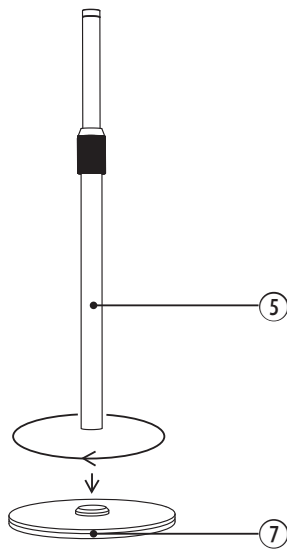
5V USB power adapter\*

## GENERAL ASSEMBLY INSTRUCTIONS

- Before assembly, remove all accessories from the package and lay them out on a level surface.
- Carefully screw the parts together during assembly to ensure the necessary stability!
- When inserting the smartphone into the holder, ensure that the smartphone is held securely!

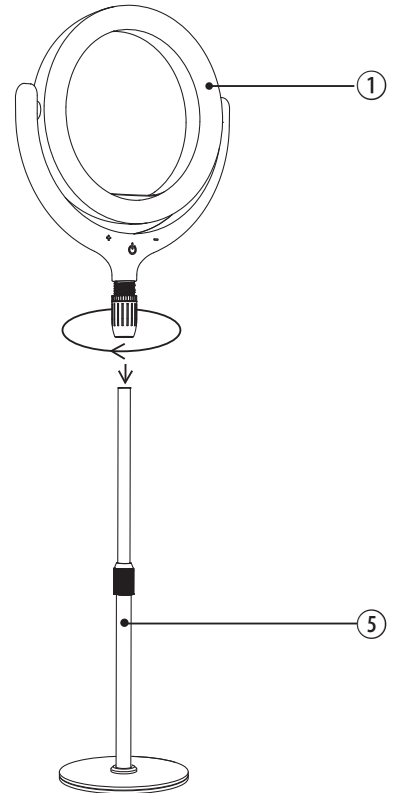
# MOUNTING (Fig. 2-5)

Fig. 2



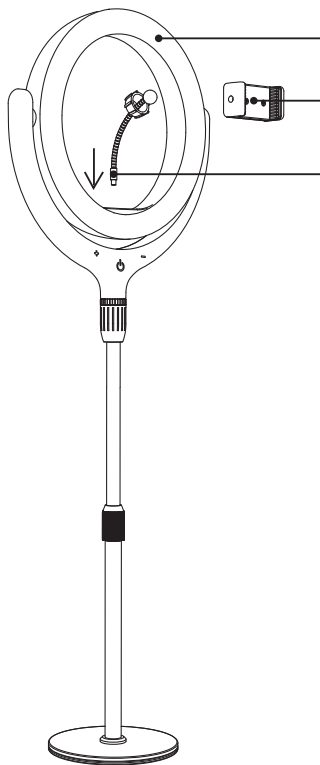
**Step 1** :Screw the stand (5) into the base plate (7).

Fig. 3



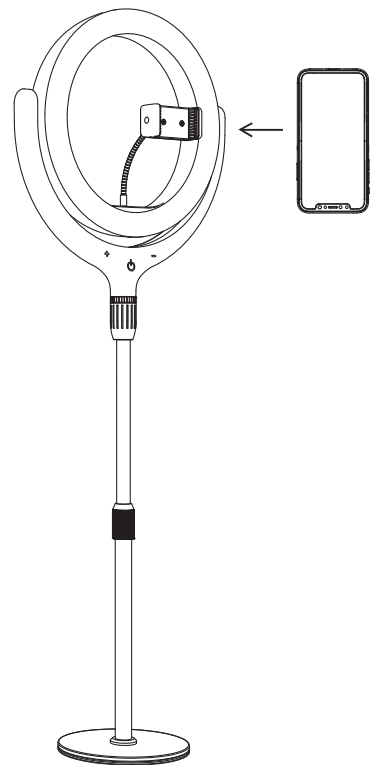
**Step 2** :Screw the ring light with the fork arm (1) on top of the stand (5).

Fig. 4



**Step 3** :Insert the flexible arm (2) into the ring light (1). Press the smartphone holder (10) into the ball joint of the flexible arm (2).

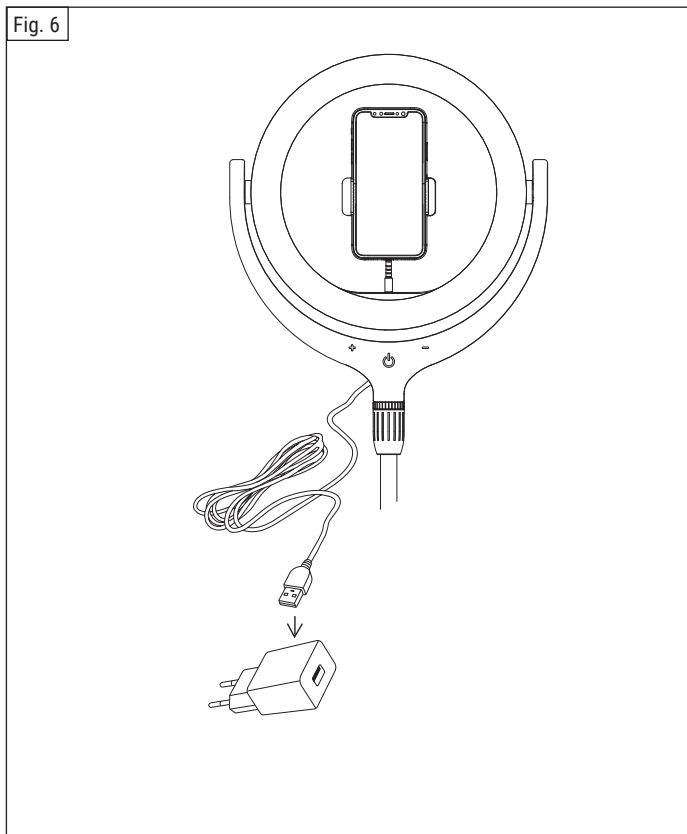
Fig. 5



**Step 4** :Insert the smartphone\* into the smartphone holder.  
*Ensure that the smartphone is fixex securely!*

\*not included

## PUTTING INTO OPERATION (Fig. 6)



1. Insert the USB plug of the power cord into a commercially available 5V USB power adapter\*. Insert the mains plug of the power adapter into the socket.
2. Press the On/Off/Colour set button for about 2 seconds to turn the device on.

**TIP:** As an alternative to the 5V USB power adapter\*, the ring light can also be powered via the USB port of a notebook\* or PC\*.

## ADJUSTING THE LIGHT COLOUR

1. Switch on the device.
2. Briefly press the On/Off/Colour set button several times to set the desired light colour. Sequence of light colours: white, warm, cold, warm/cold combined

## ADJUSTING THE BRIGHTNESS

1. Press the +button to increase the brightness.
2. Press -button to decrease the brightness.

## TECHNICAL DATA

Model	F004512	F004513
Type	LED ring light	
Housing colour	white	black
Lighting	96 LED's <sup>1</sup>	
Power	10W <sup>2</sup>	
Light colours	white, warm, cold or cold/warm combined	
Power supply	DC 5V/2A via 5V USB power adapter <sup>3</sup>	
Material	ABS plastic/polycarbonate/metal	
Dimensions	30x70cm	

<sup>1</sup>The LEDs have a long lifetime and are not replaceable due to technical reasons.

<sup>2</sup>The power of an LED lighting is higher than that of conventional halogen lights. Therefore, LED's have a lower wattage than comparable lights.

<sup>3</sup>e.g. from smartphone; not included



## WARRANTY



[www.bresser.de/warranty\\_terms](http://www.bresser.de/warranty_terms)

## Contact

---

Bresser GmbH  
Gutenbergstr. 2  
46414 Rhede - Germany

    @BresserEurope

