

## Instruction Manual

Art. No. 4964140

Read these operating instructions and the safety instructions carefully before using the product. Keep this manual for future reference.



### CAUTION!

This caution icon refers to information pertaining to important safety procedures in preventing injuries and damages which may occur as a result of mishandling this product.



### PROHIBITION!

This prohibition icon refers to information pertaining to prohibited contents. Refer to the instructions closely to avoid accidents.

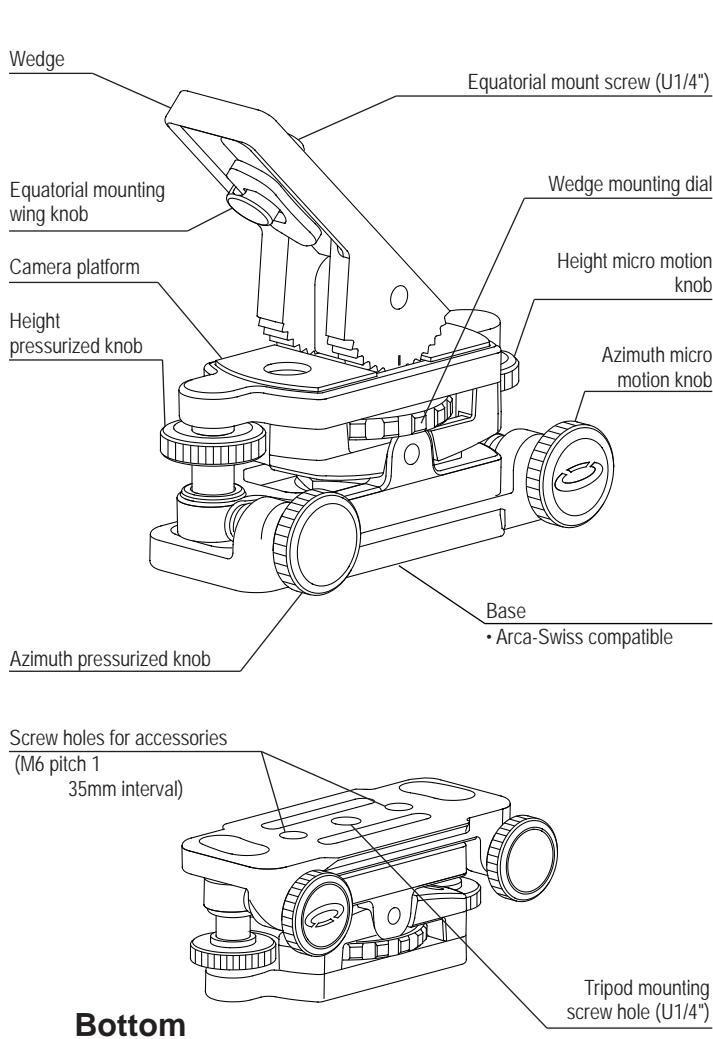
### SPECIFICATIONS

HxWxD: 37 x 88 x 46 mm (1.5 x 3.5 x 1.9 in) · Weight: 250 g (0.56 lbs)

Camera screw: U1/4" (10.4in) · Tripod mount screw: U1/4"

Height adjustment angle: 20° (+/- 10°) · Azimuth adjustment angle: 16° (+/- 8°)

## Parts description

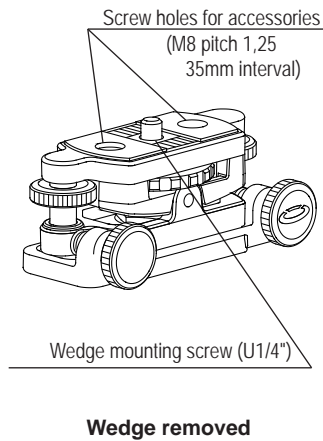


## Mounting parts

### PROHIBITION!

Max. load capacity: 6 kg

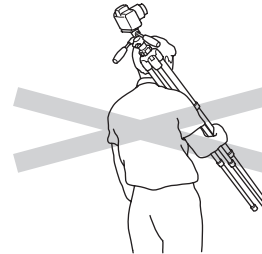
DO NOT load more than its load capacity. Also, it may be difficult to balance the equipment due to its position of center of gravity even below the load capacity. Tripod must have enough load capacity. The center of gravity may be greatly shifted depending on the equipment being used. To correct the center of gravity of the equipment, adjust mounting position of the camera platform and slide mounting position of the wedge.



Wedge removed

## Carrying the tripod

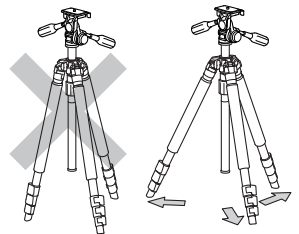
### PROHIBITION!



Remove camera and other equipment from the tripod while transporting. Camera or other equipment may fall from the tripod and cause bodily injury or property damage.

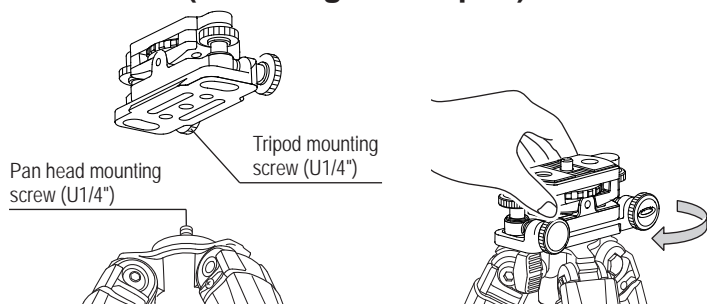
## Setting up

### CAUTION!



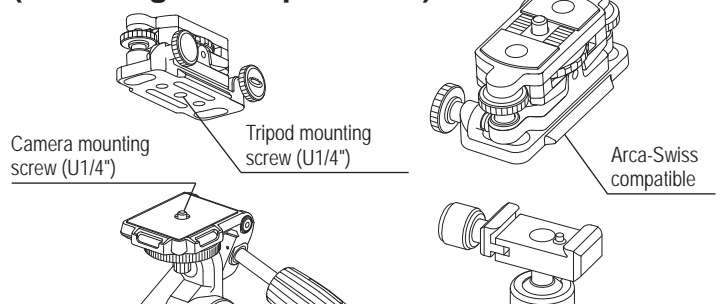
To prevent accidental equipment fall or tripod tipping over, make sure all levers, knobs and handles on the unit are securely tightened. Also, spread tripod legs as wide as possible for a solid foundation. Insufficient leg spread may cause camera shake and the tripod to fall over.

## Installation (mounting on a tripod)



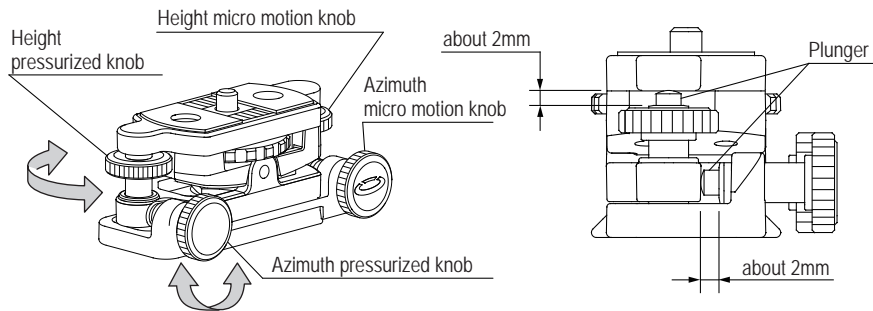
When using the unit with a field scope, attach the unit directly to the tripod or to the pan head according to your usage. When mounting the unit directly to the tripod, rotate the unit clockwise until it comes to stop. When mounting the unit to the equatorial mount, place the unit directly to the tripod.

## (mounting on the pan head)

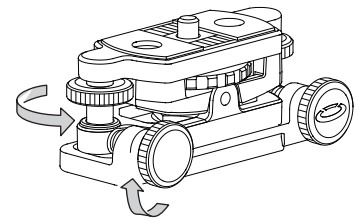


Insert the pan head attachment screw of the pan head to the tripod mounting screw hole of the unit and firmly fix the unit. Although the unit base is Arca-Swiss compatible, the unit may not be mounted to all Arca-Swiss compatible pan heads.

## How to use micro motion knobs

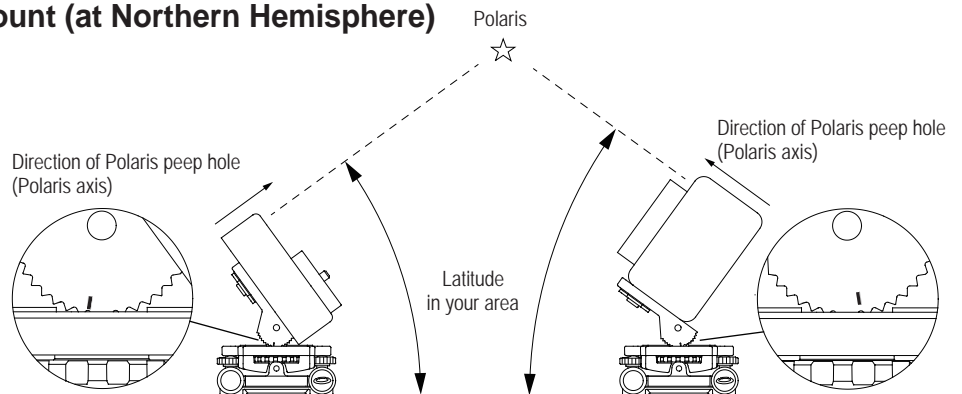
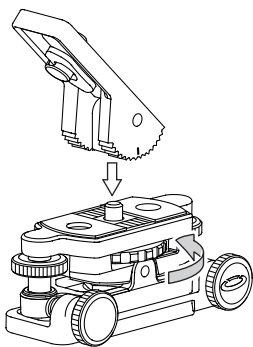


Adjust the protrusion of each plunger about 2mm, by rotating both height and azimuth pressurizing knobs. When plunger comes out from the pressurizing screw, the micro motion knobs can be operated. In case of fine adjustment range is wide, adjust both the pressurizing knob until plunger retracts.

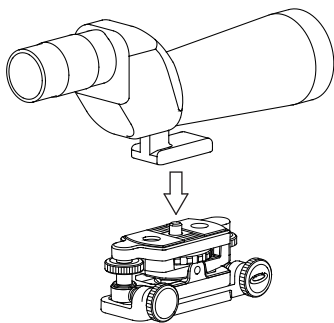


To lock the angle of the platform, rotate the pressurizing knob until plunger retracts. Rotate the pressurizing knob until it comes to stop. Do not overturn the knob.

## Install the portable equatorial mount (at Northern Hemisphere)



## Install the field scope



Insert wedge mounting screw to the screw hole of the field scope and rotate the wedge mounting dial until it stops

## Center the gravity of the equipment

**CAUTION!**

Depending on the position of the center of gravity of the product to be installed, the plunger may sink and the fine adjustment may not be performed correctly. In this case, reverse the mounting direction or shift the center of gravity of the equipment. Place the center of gravity to the side of the height micro motion knob.

## Installation of astrophotography accessories

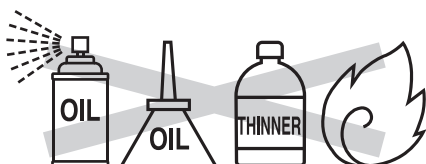
**CAUTION!**

There are two each accessory holes on both top and bottom of the unit. (refer to parts description) Top screw holes are M8 pitch 1.25, and M6 pitch 1 for the bottom. Both screw holes are 35mm interval. In case of installing a third-party accessory, the length of the screw to the pan head should be as follows.

M8 : less than 7mm  
M6 : less than 6mm

## Care of the product

- DO NOT apply any grease or oil to this product!
- Clean with a mild detergent and a soft cloth only!
- DO NOT use close to flame! Avoid extreme heat!



Instruction manual and additional information  
Bedienungsanleitung und weitere Informationen  
Manuel d'instruction et informations complémentaires  
Manual de instrucciones e información adicional  
Handleiding en aanvullende informatie  
[www.bresser.de/P4964140](http://www.bresser.de/P4964140)